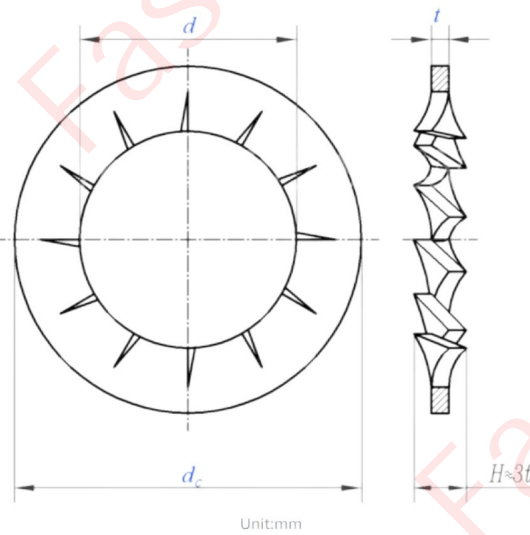




Lishui Chaotai Fastener



Size	d		d _c		Number of teeth	t	For nominal thread diameter
	min=nominal size	max	max=nominal size	min	min		
1.7	1.7	1.84	3.6	3.3	7	0.3	M1.6
2.2	2.2	2.34	4.5	4.2	7	0.3	M2
2.7	2.7	2.84	5.5	5.2	7	0.4	M2.5
3.2	3.2	3.38	6	5.7	7	0.4	M3
3.7	3.7	3.88	7	6.64	8	0.5	M3.5
4.3	4.3	4.48	8	7.64	8	0.5	M4
5.3	5.3	5.48	10	9.64	8	0.6	M5
6.4	6.4	6.62	11	10.57	9	0.7	M6
7.4	7.4	7.62	12.5	12.07	10	0.8	M7
8.4	8.4	8.62	15	14.57	10	0.8	M8
10.5	10.5	10.77	18	17.57	12	0.9	M10
13	13	13.27	20.5	19.98	12	1	M12
15	15	15.27	24	23.48	14	1	M14
17	17	17.27	26	25.48	14	1.2	M16
19	19	19.33	30	29.48	14	1.4	M18
21	21	21.33	33	32.38	16	1.4	M20
23	23	23.33	36	35.38	16	1.5	M22
25	25	25.33	38	37.38	16	1.5	M24
28	28	28.33	44	43.38	18	1.6	M27
31	31	31.39	48	47.38	18	1.6	M30