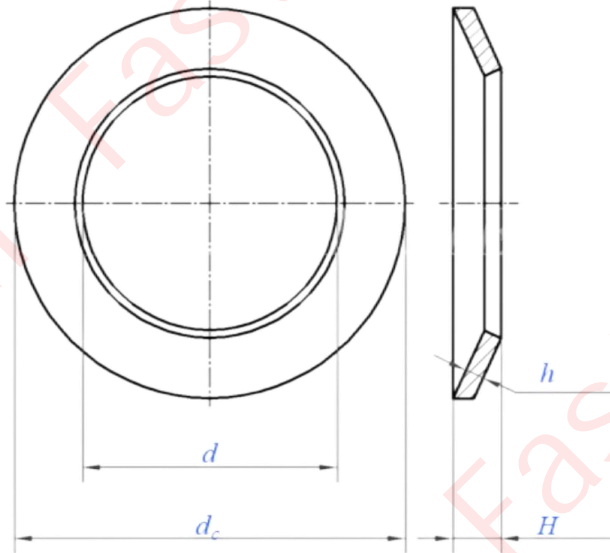




Lishui Chaotai Fastener



For thread diameter	d		d _c		h	H	
	min=nominal size(H14)	max	max=nominal size(h14)	min		max	min
M2	2.2	2.45	5	4.7	0.4	0.6	0.5
M2.5	2.7	2.95	6	5.7	0.5	0.72	0.61
M3	3.2	3.5	7	6.64	0.6	0.85	0.72
M3.5	3.7	4	8	7.64	0.8	1.06	0.92
M4	4.3	4.6	9	8.64	1	1.3	1.12
M5	5.3	5.6	11	10.57	1.2	1.55	1.35
M6	6.4	6.76	14	13.57	1.5	2	1.7
M7	7.4	7.76	17	16.57	1.75	2.3	2
M8	8.4	8.76	18	17.57	2	2.6	2.24
M10	10.5	10.93	23	22.48	2.5	3.2	2.8
M12	13	13.43	29	28.48	3	3.95	3.43
M14	15	15.43	35	34.38	3.5	4.65	4.04
M16	17	17.43	39	38.38	4	5.25	4.58
M18	19	19.52	42	41.38	4.5	5.8	5.08
M20	21	21.52	45	44.38	5	6.4	5.6
M22	23	23.52	49	48.38	5.5	7.05	6.15
M24	25	25.52	56	55.26	6	7.75	6.77
M27	28	28.52	60	59.26	6.5	8.35	7.3
M30	31	31.62	70	69.26	7	9.2	8